



Multi-current DIP Adjustmen

Triac Dimmable Output Current Selectable LED Driver

可控硅调光多电流可选LED驱动器

Features


特性

- Dimming Function : Triac/Phase Cut Dimming
- Output : Constant Current
- Range AC Input :100-277VAC
- Efficiency Up to 75%~80%
- Built-in Active PFC Function
- Protections : Short Circuit/over Current
- IP20 Design for Indoor Installation/In Dry&Damp Location
- Cooling by Free Air Convection
- Work with Leading or Trailing Edge Triac Dimmer
- (ON key: leading edge; 1 key: trailing edge)
- Strong Compatibility, Flicker-free Dimming
- 7 years warranty
- Certificate : UL/cUL、FCC、RoHS、CE

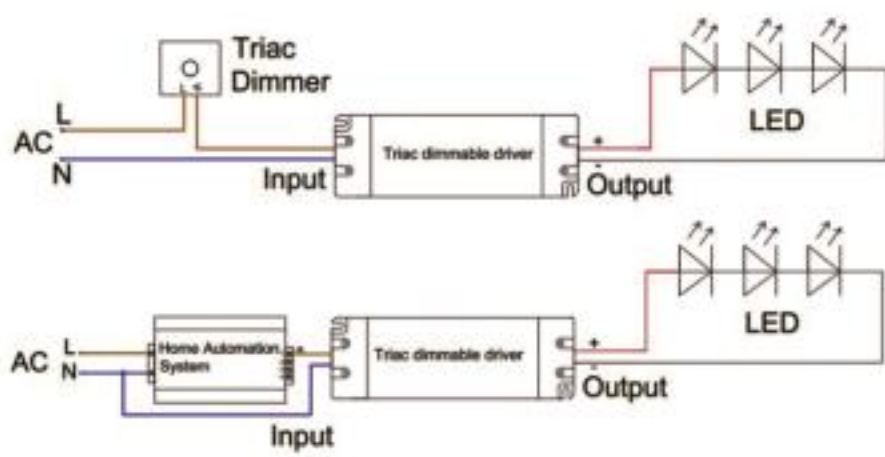
- 调光功能:** 双向可控硅/切相调光
- 输出:** 恒流
- 交流输入范围:** 100-277VAC
- 效率高达75%~80%
- 内置有源PFC功能
- 保护功能:** 短路/过流保护
- IP20设计, 适合室内安装/干湿场所
- 通过自由空气对流冷却
- 与前沿或后沿双向可控硅调光器一起使用
- (ON 键: 前沿; 1 键: 后沿)
- 兼容性强, 无闪烁调光
- 质保期:** 7年
- 认证:** UL/cUL、FCC、RoHS、CE

Dimming Operation & Connecting Diagram

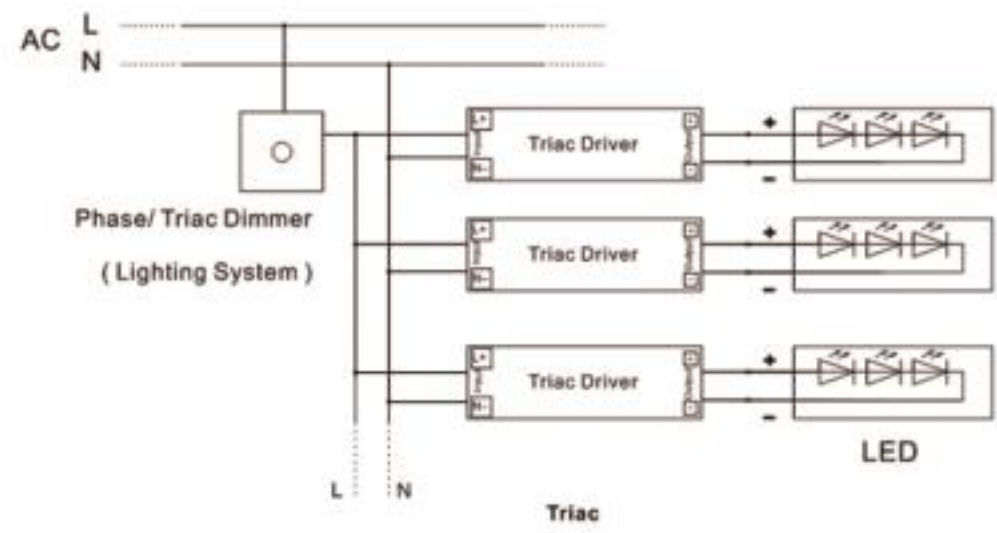
调光操作和接线图

1. Output constant current level can be adjusted through input terminal of the AC phase line(L) by connection a Triac dimmer.
2. Usually matching with leading edge and trailing edge dimmer both. (Note: For Europe Version only) At the input area, you will find dip switch on the terminal. ON key for leading edge; 1 key for trailing edge. (see right picture) 
3. Please try to use the small power dimmer, have access to a wider dimming range, high-power dimmer is difficult to achieve the output current to zero
4. Please try to use dimmers with power at least 2 times as the output power of the driver.

1. 输出恒流电平可通过交流相线(L)输入端连接可控硅调光器进行调节。
2. 通常与前沿和后沿调光器配套使用。(注: 仅限欧版) 在输入区域, 您会在终端上找到 DIP 开关。
ON 键: 前沿 1 键: 后沿
3. 请尽量使用小功率调光器, 可以获得更宽的调光范围, 大功率调光器很难做到输出电流为零。
4. 请尽量使用功率至少为驱动器输出功率1.5倍的调光器。



Connecting Diagram in Single (I)



Connecting Diagram Multiple (II)

Optional Model

可选型号

Model 型号	Cover Material 外壳材质	Output Voltage 输出电压 (Vdc)	Output Current 输出电流 (mA)	Dip Switch 拨码开关 T ON ↓ OFF	Output power 输出功率 (Watt)	Product Size 尺寸 (mm)	N/W 净重 (g)
SMT-M-010CT	Plastic(IP20)	3-42V	100mA	T T T	4.2W	135*30*20	130
		3-42V	150mA	↓ T T	6.3W		
		3-42V	200mA	T ↓ T	8.4W		
		3-40V	250mA	↓ ↓ T	10W		
		3-33V	300mA	T T ↓	9.9W		
		3-29V	350mA	↓ T ↓	10.15W		
		3-25V	400mA	T ↓ ↓	10W		
		3-22V	450mA	↓ ↓ ↓	9.9W		
SMT-M-020CT	Plastic(IP20)	3-42V	250mA	↓ ↓ ↓	10.5W	159.5*43*20	150
		3-42V	350mA	T ↓ ↓	14.7W		
		3-42V	400mA	↓ T ↓	16.8W		
		3-42V	450mA	↓ ↓ T	18.9W		
		3-40V	500mA	T T ↓	20W		
		3-36V	550mA	T ↓ T	19.8W		
		3-33V	600mA	↓ T T	19.8W		
		3-28V	700mA	T T T	19.6W		
SMT-M-040CT	Plastic(IP20)	3-65V	300mA	↓ ↓ ↓ ↓	19.5W	172*54*20	350
		3-65V	350mA	T ↓ ↓ ↓	22.75W		
		3-65V	400mA	↓ T ↓ ↓	26W		
		3-65V	450mA	T T ↓ ↓	29.25W		
		3-65V	500mA	↓ ↓ T ↓	32.5W		
		3-65V	550mA	T ↓ T ↓	35.75W		
		3-65V	600mA	↓ T T ↓	39W		
		3-62V	650mA	T T T ↓	40.3W		
		3-57V	700mA	↓ ↓ ↓ T	39.9W		
		3-50V	800mA	T ↓ ↓ T	40W		
		3-45V	900mA	↓ T ↓ T	40.5W		
		3-40V	1000mA	T T ↓ T	40W		
		3-37V	1100mA	↓ ↓ T T	40.7W		
		3-34V	1200mA	T ↓ T T	40.8W		
3-31V	1300mA	↓ T T T	40.3W				
3-29V	1400mA	T T T T	40.6W				
SMT-M-060CT	Plastic(IP20)	3-65V	600mA	↓ ↓ ↓ ↓	39W	171.5*54*20	450
		3-65V	700mA	T ↓ ↓ ↓	45.5W		
		3-65V	800mA	↓ T ↓ ↓	52W		
		3-65V	900mA	T T ↓ ↓	58.5W		
		3-60V	1000mA	↓ ↓ T ↓	60W		
		3-54V	1100mA	T ↓ T ↓	59.4W		
		3-50V	1200mA	↓ T T ↓	60W		
		3-46V	1300mA	T T T ↓	59.8W		
		3-43V	1400mA	↓ ↓ ↓ T	60.2W		
		3-40V	1500mA	T ↓ ↓ T	60W		
		3-38V	1600mA	↓ T ↓ T	60.8W		
		3-35V	1700mA	T T ↓ T	59.5W		
		3-33V	1800mA	↓ ↓ T T	59.4W		
		3-32V	1900mA	T ↓ T T	60.8W		
		3-30V	2000mA	↓ T T T	60W		
		3-28V	2100mA	T T T T	58.8W		



Multi-current DIP Adjustmen

0-10V Dimmable Output Current Selectable LED Driver

0-10V调光多电流可选LED驱动器

Features 特性

- Dimming Function: 0-10V/1-10V/Potentiometer/10V PWM 4 in 1
- Range AC Input :100-277VAC
- Efficiency Up to 83%~88%
- Load: 10-100%
- Built-in Active PFC Function
- Protections: Short Circuit/over Current
- Full Protection Plastic Housing Easy Installation
- IP20 Design for Indoor Installation/In Dry&Damp Location
- Cooling by Free Air Convection
- Strong Compatibility, Flicker-free Dimming
- Suitable for LED Lighting and Moving Sign Applications
- 7 Years Warranty
- Certificate : UL/cUL、FCC、RoHS、CE、Type HL

调光功能: 0-10V/1-10V/电位器/10V PWM 4合1

交流输入范围: 100-277VAC

效率高达83%~88%

负载: 10-100%

内置有源PFC功能

保护功能: 短路/过流保护

塑料外壳全面保护易于安装

IP20设计, 适合室内安装/干湿场所

通过自由空气对流冷却

兼容性强, 无闪烁调光

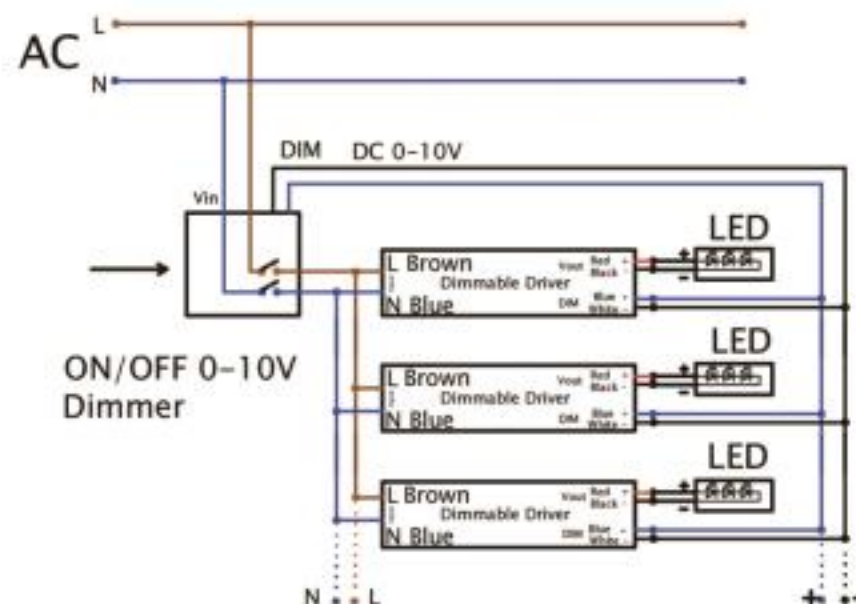
适用于 LED 照明和移动标志应用

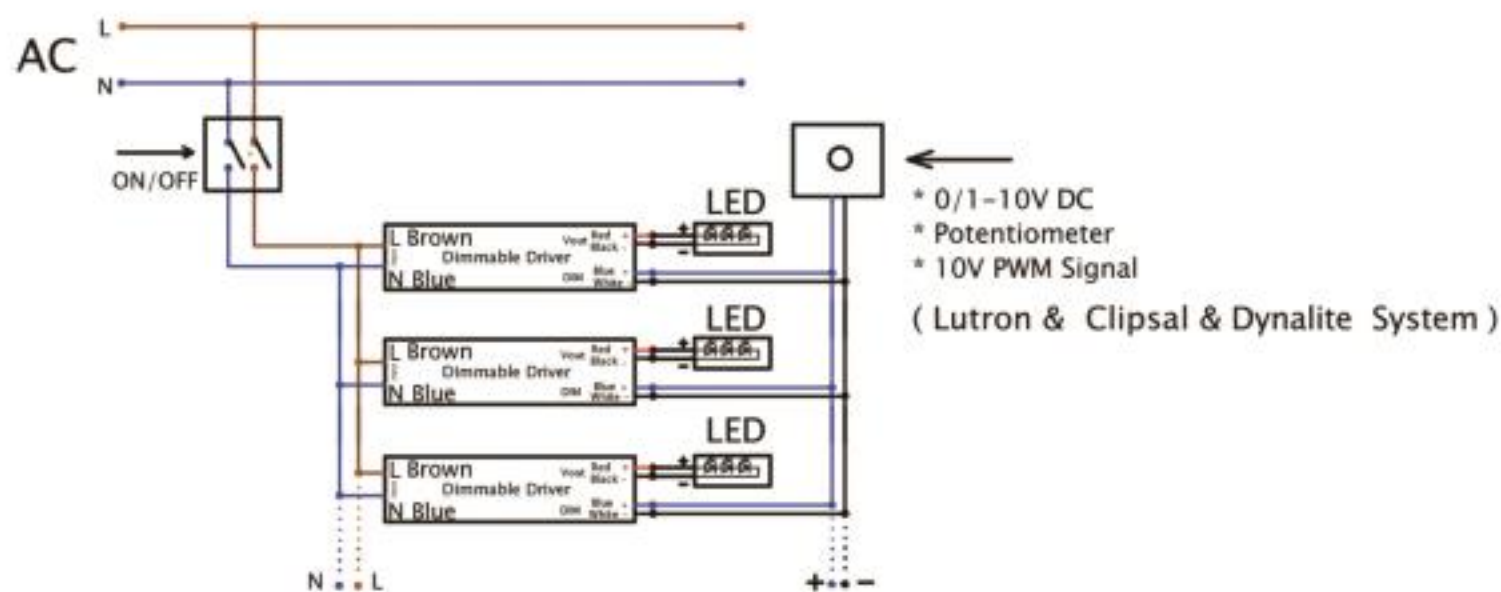
质保期: 7年

认证: UL/cUL、FCC、RoHS、CE、Type HL

Connecting Diagram

接线图





Optional Model

可选型号

Model 型号	Cover Material 外壳材质	Output Voltage 输出电压 (Vdc)	Output Current 输出电流 (mA)	Dip Switch 拨码开关 T ON ↓ OFF	Output Power 输出功率 (Watt)	Product Size 尺寸 (mm)	N/W 净重 (g)
SMT-M-010CD	Plastic(IP20)	3-42V	100mA	T T T	4.2	135*30*20	130
		3-42V	150mA	↓ T T	6.3		
		3-42V	200mA	T ↓ T	8.4		
		3-40V	250mA	↓ ↓ T	10		
		3-33V	300mA	T T ↓	9.9		
		3-29V	350mA	↓ T ↓	10.15		
		3-25V	400mA	T ↓ ↓	10		
		3-22V	450mA	↓ ↓ ↓	9.9		
SMT-M-020CD	Plastic(IP20)	3-42V	250mA	↓ ↓ ↓	10.5	159.5*43*20	150
		3-42V	350mA	T ↓ ↓	14.7		
		3-42V	400mA	↓ T ↓	16.8		
		3-42V	450mA	↓ ↓ T	18.9		
		3-40V	500mA	T T ↓	20		
		3-36V	550mA	T ↓ T	19.8		
		3-33V	600mA	↓ T T	19.8		
		3-28V	700mA	T T T	19.6		
SMT-M-040CD	Plastic(IP20)	3-65V	300mA	↓ ↓ ↓ ↓	19.5	172*54*20	350
		3-65V	350mA	T ↓ ↓ ↓	22.75		
		3-65V	400mA	↓ T ↓ ↓	26		
		3-65V	450mA	T T ↓ ↓	29.25		
		3-65V	500mA	↓ ↓ T ↓	32.5		
		3-65V	550mA	T ↓ T ↓	35.75		
		3-65V	600mA	↓ T T ↓	39		
		3-62V	650mA	T T T ↓	40.3		
		3-57V	700mA	↓ ↓ ↓ T	39.9		
		3-50V	800mA	T ↓ ↓ T	40		
		3-45V	900mA	↓ T ↓ T	40.5		
		3-40V	1000mA	T T ↓ T	40		
		3-37V	1100mA	↓ ↓ T T	40.7		
		3-34V	1200mA	T ↓ T T	40.8		
3-31V	1300mA	↓ T T T	40.3				
3-29V	1400mA	T T T T	40.6				
SMT-M-060CD	Plastic(IP20)	3-65V	600mA	↓ ↓ ↓ ↓	39	171.5*54*20	450
		3-65V	700mA	T ↓ ↓ ↓	45.5		
		3-65V	800mA	↓ T ↓ ↓	52		
		3-65V	900mA	T T ↓ ↓	58.5		
		3-60V	1000mA	↓ ↓ T ↓	60		
		3-54V	1100mA	T ↓ T ↓	59.4		
		3-50V	1200mA	↓ T T ↓	60		
		3-46V	1300mA	T T T ↓	59.8		
		3-43V	1400mA	↓ ↓ ↓ T	60.2		
		3-40V	1500mA	T ↓ ↓ T	60		
		3-38V	1600mA	↓ T ↓ T	60.8		
		3-35V	1700mA	T T ↓ T	59.5		
		3-33V	1800mA	↓ ↓ T T	59.4		
		3-32V	1900mA	T ↓ T T	60.8		
		3-30V	2000mA	↓ T T T	60		
		3-28V	2100mA	T T T T	58.8		



Multi-current DIP Adjustment

DALI-2 & Push Dimming (2 in 1) Output Current Selectable LED Driver [DT6]

DALI-2 & PUSH (2合1)调光多电流可选LED驱动器 [DT6]

Features 特性

- Dimming Function: DALI-2 & PUSH Dimming (2 in 1)
- Range AC input :100-277VAC
- Efficiency up to 83%~88%
- Output constant current for single color DT6
- DALI-2 Protocol IEC62386; PUSH-DIM
- Built-in active PFC function
- Dimming curve: Logarithmic (default) and Linear
- Dimming range: 0-100%, LED start at 0.1% possible
- Protections: short circuit/over current/over temperature
- Full protection plastic housing easy installation
- IP20 design for indoor installation
- Cooling by free air convection
- Strong compatibility, flicker-free dimming
- Suitable for LED lighting and moving sign applications
- 7 years warranty
- Certificate : UL/cUL、FCC、RoHS、CE

- 调光功能: DALI-2 & PUSH 调光 (二合一)
- 交流输入范围: 100-277VAC
- 效率高达83%~88%
- 单色DT6输出恒流
- DALI-2协议IEC62386; PUSH调光
- 内置有源PFC功能
- 调光曲线: 对数 (默认) 和线性调光
- 调光范围: 0-100%, 可以从0.1%开始调光
- 保护功能: 短路/过流保护
- 塑料外壳全面保护易于安装
- IP20设计, 适合室内安装/干湿场所
- 通过自由空气对流冷却
- 兼容性强, 无闪烁调光
- 适用于 LED 照明和移动标志应用
- 质保期: 7年
- 认证: UL/cUL、FCC、RoHS、CE

Application 适用范围

- Indoor & outdoor LED illuminating lights.
- LED City Decoration
- Commercial LED Lighting,
- LED Panels

- 户内外LED照明
- LED城市装饰灯
- 商用LED照明
- LED面板灯

Optional Model

可选型号

Model 型号	Cover Material 外壳材质	Output Voltage 输出电压 (Vdc)	Output Current 输出电流 (mA)	Dip Switch 拨码开关 T ON ↓ OFF	Output power 输出功率 (Watt)	Product Size 尺寸 (mm)	N/W 净重 (g)
SMT-M-010CM	Plastic(IP20)	3-42V	100mA	T T T	10W	135*30*20	130
		3-42V	150mA	↓ T T			
		3-42V	200mA	T ↓ T			
		3-40V	250mA	↓ ↓ T			
		3-33V	300mA	T T ↓			
		3-29V	350mA	↓ T ↓			
		3-25V	400mA	T ↓ ↓			
		3-22V	450mA	↓ ↓ ↓			
SMT-M-020CM	Plastic(IP20)	3-42V	250mA	↓ ↓ ↓	20W	160*43*20	150
		3-42V	350mA	T ↓ ↓			
		3-42V	400mA	↓ T ↓			
		3-42V	450mA	↓ ↓ T			
		3-40V	500mA	T T ↓			
		3-36V	550mA	T ↓ T			
		3-33V	600mA	↓ T T			
		3-28V	700mA	T T T			
SMT-M-040CM	Plastic(IP20)	3-65V	300mA	↓ ↓ ↓ ↓	40W	172*54*20	350
		3-65V	350mA	T ↓ ↓ ↓			
		3-65V	400mA	↓ T ↓ ↓			
		3-65V	450mA	T T ↓ ↓			
		3-65V	500mA	↓ ↓ T ↓			
		3-65V	550mA	T ↓ T ↓			
		3-65V	600mA	↓ T T ↓			
		3-62V	650mA	T T T ↓			
		3-57V	700mA	↓ ↓ ↓ T			
		3-50V	800mA	T ↓ ↓ T			
		3-45V	900mA	↓ T ↓ T			
		3-40V	1000mA	T T ↓ T			
		3-37V	1100mA	↓ ↓ T T			
		3-34V	1200mA	T ↓ T T			
3-31V	1300mA	↓ T T T					
3-29V	1400mA	T T T T					
SMT-M-060CM	Plastic(IP20)	3-65V	600mA	↓ ↓ ↓ ↓	60W	193*62*24	450
		3-65V	700mA	T ↓ ↓ ↓			
		3-65V	800mA	↓ T ↓ ↓			
		3-65V	900mA	T T ↓ ↓			
		3-60V	1000mA	↓ ↓ T ↓			
		3-54V	1100mA	T ↓ T ↓			
		3-50V	1200mA	↓ T T ↓			
		3-46V	1300mA	T T T ↓			
		3-43V	1400mA	↓ ↓ ↓ T			
		3-40V	1500mA	T ↓ ↓ T			
		3-38V	1600mA	↓ T ↓ T			
		3-35V	1700mA	T T ↓ T			
		3-33V	1800mA	↓ ↓ T T			
		3-32V	1900mA	T ↓ T T			
3-30V	2000mA	↓ T T T					
3-28V	2100mA	T T T T					



Dimming Operation & Connecting Diagram

调光操作 & 接线图

1. Dimming wires are installed for Dimming terminals (No polar) and are connected to the DALI BUS when use DALI function :

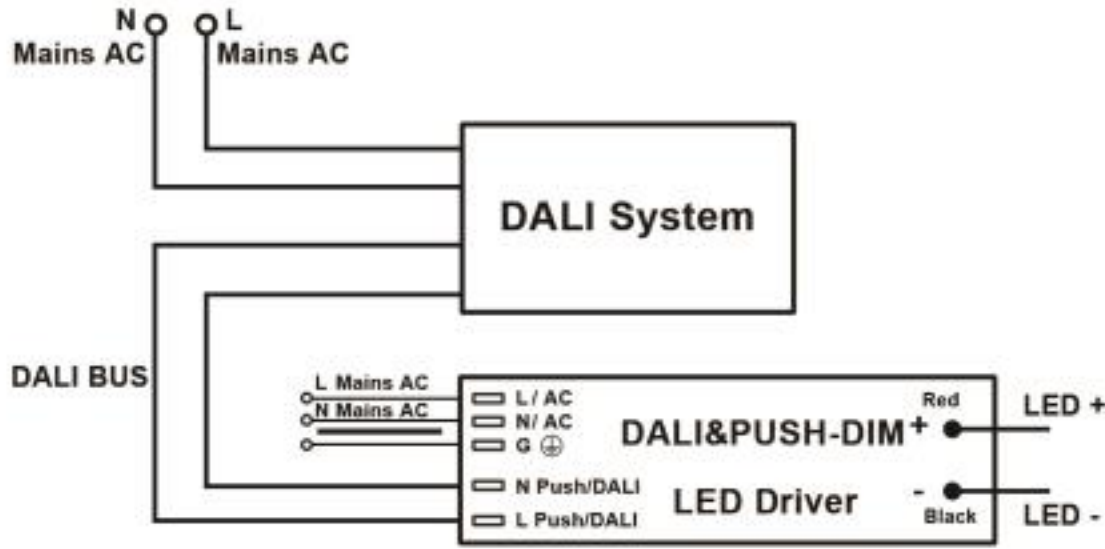
wire (N) is connected to AC (N) while and wire (L) is connected to Push dim switch dimmer(L) when use Push function.

2. Please make sure you connect these correctly otherwise your product will not function correctly and could be damaged.

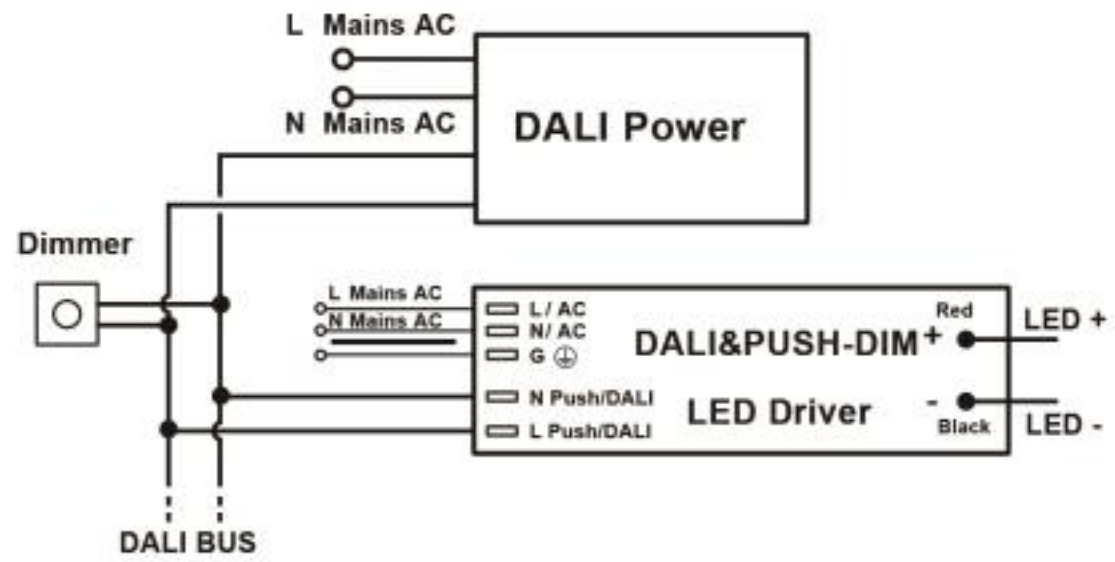
1、调光接线端安装调光线（无极性），使用 DALI 功能时连接到 DALI BUS。

当使用 Push 功能时，线 (N) 连接到 AC (N)，而线 (L) 连接到 Push dim 开关调光器 (L)。

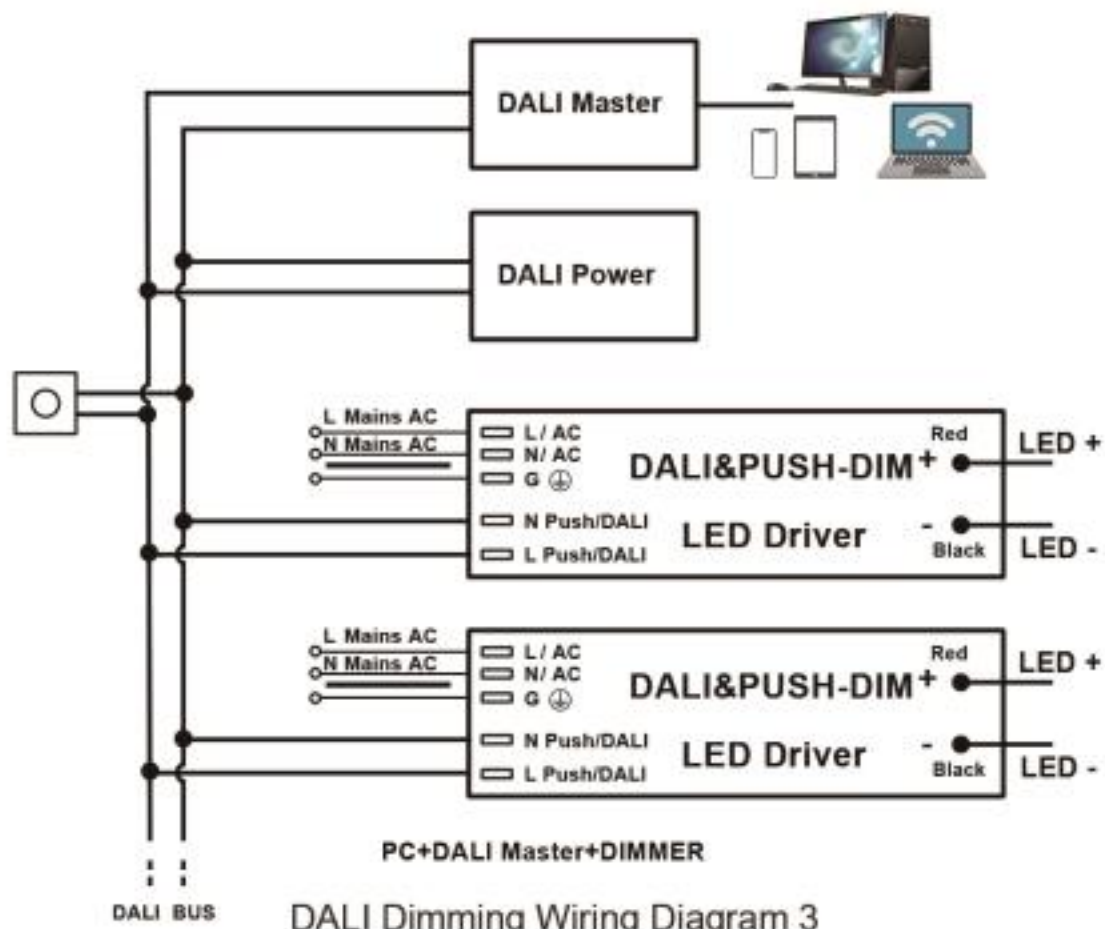
2、请确保正确连接，否则您的产品将无法正常工作并可能损坏。



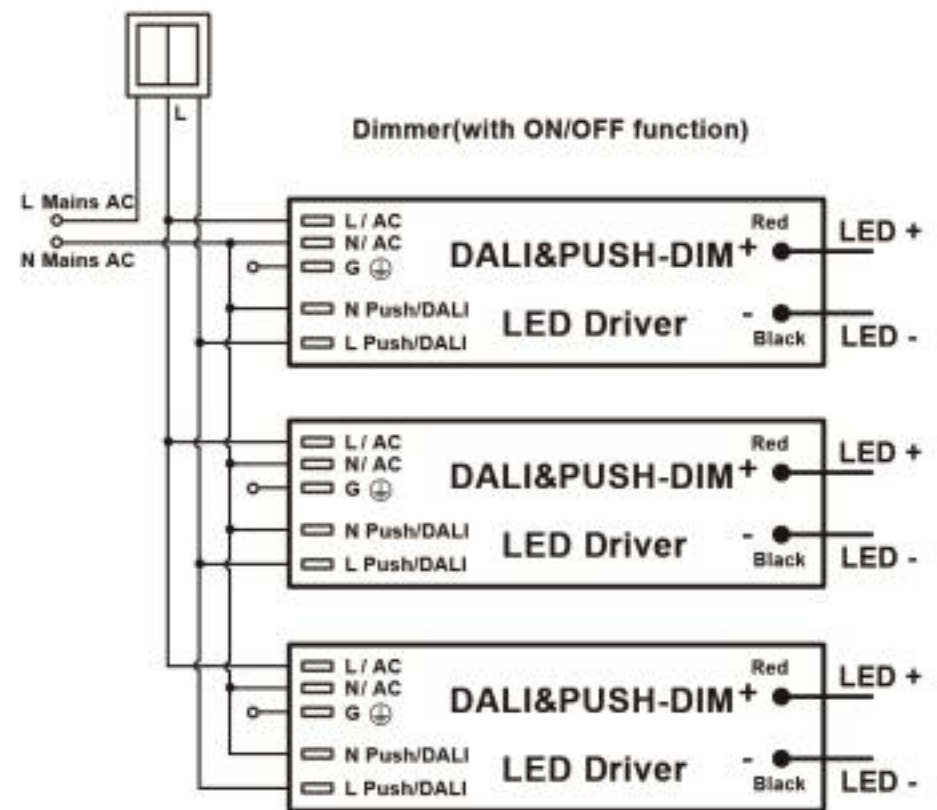
DALI Dimming Wiring Diagram 1



DALI Dimming Wiring Diagram 2



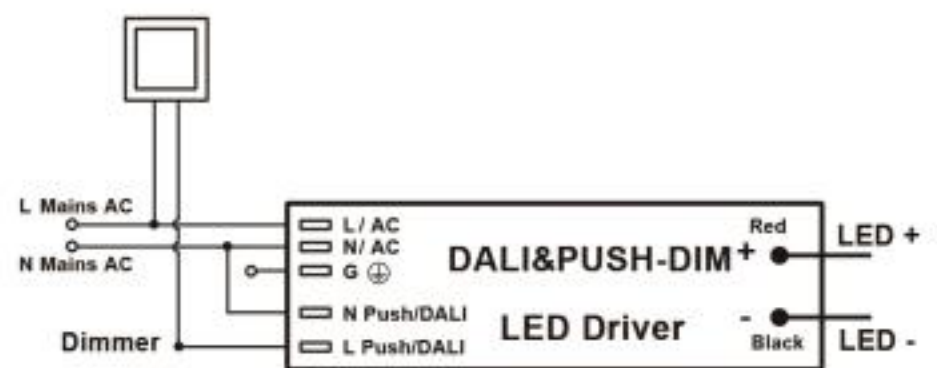
DALI Dimming Wiring Diagram 3



Push-Dimming Wiring Diagram 1

※Note: For DALI Dimming Wiring Diagram 3, please noted that only one DALI power is need in the DALI bus, so no extra DALI power is needed if the Master or Dimmer already includes the DALI Power

※注：DALI调光接线图3，请注意DALI总线中只需要一个DALI电源，所以如果 Master或Dimmer已经包含DALI电源，则不需要额外的DALI电源



Push-Dimming Wiring Diagram 2



**Multi-Output Current LED Driver
(Multi-current DIP Adjustment)**

Many different specification constant current LED drivers integrated into one only, simplify your inventory.

Triac Dimming
 0-10V Dimming
 DALI Dimming DT6 / DT8

DMX512 Dimming
 Triac & 0-10V (5 in 1) Dimming

Multi-current DIP Adjustment

DALI-2 & Push Dimming (2 in 1) Output Current Selectable LED Driver [DT8]

DALI-2 & PUSH (2合1)调光多电流可选LED驱动器 [DT8]

Features 特性

- Dimming Function: DALI-2 & PUSH Dimming (2 in 1)
- Range AC input :100-277VAC
- Efficiency up to 83%~88%
- DALI-2 Protocol IEC62386; PUSH-DIM (CCT dimming)
- Built-in active PFC function
- Dimming curve: Logarithmic (default) and Linear
- Dimming range: 0-100%, LED start at 0.1% possible
- Protections: short circuit/over current/over temperature
- Full protection plastic housing easy installation
- IP20 design for indoor installation
- Cooling by free air convection
- Strong compatibility, flicker-free dimming
- Suitable for LED lighting and moving sign applications
- 7 years warranty
- Certificate : UL/cUL、FCC、RoHS、CE

- **调光功能:** DALI-2 & PUSH 调光 (二合一)
- **交流输入范围:** 100-277VAC
- 效率高达83%~88%
- DALI-2协议IEC62386; PUSH调光(色温调光)
- 内置有源PFC功能
- 调光曲线: 对数 (默认) 和线性调光
- **调光范围:** 0-100%, 可以从0.1%开始调光
- **保护功能:** 短路/过流保护
- 塑料外壳全面保护易于安装
- IP20设计, 适合室内安装/干湿场所
- 通过自由空气对流冷却
- 兼容性强, 无闪烁调光
- 适用于 LED 照明和移动标志应用
- **质保期:** 7年
- **认证:** UL/cUL、FCC、RoHS、CE

Application 适用范围

- Indoor & outdoor LED illuminating lights.
- LED City Decoration
- Commercial LED Lighting,
- LED Panels

- 户内外LED照明
- LED城市装饰灯
- 商用LED照明
- LED面板灯

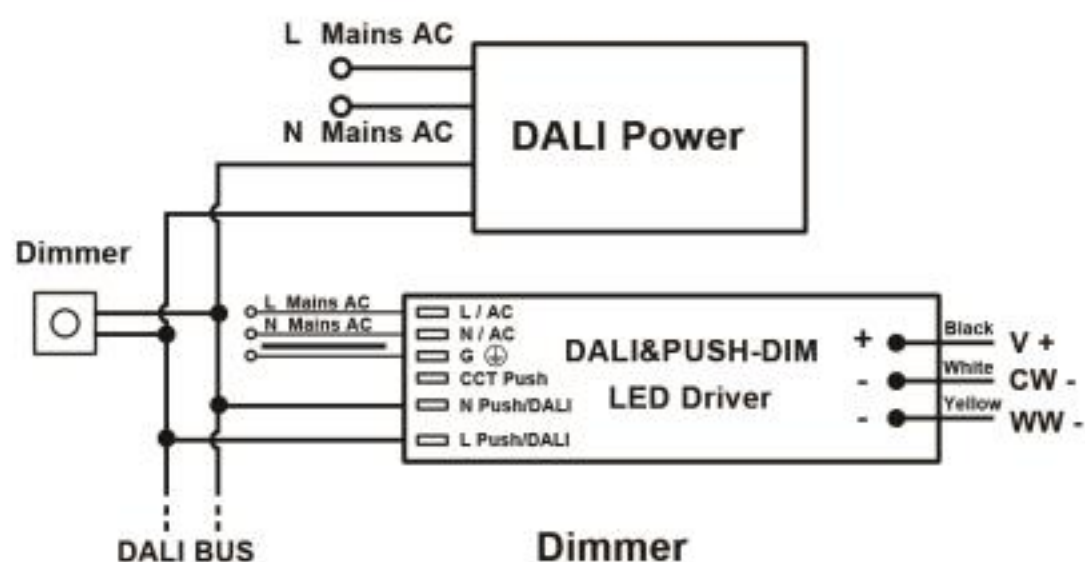
Optional Model

可选型号

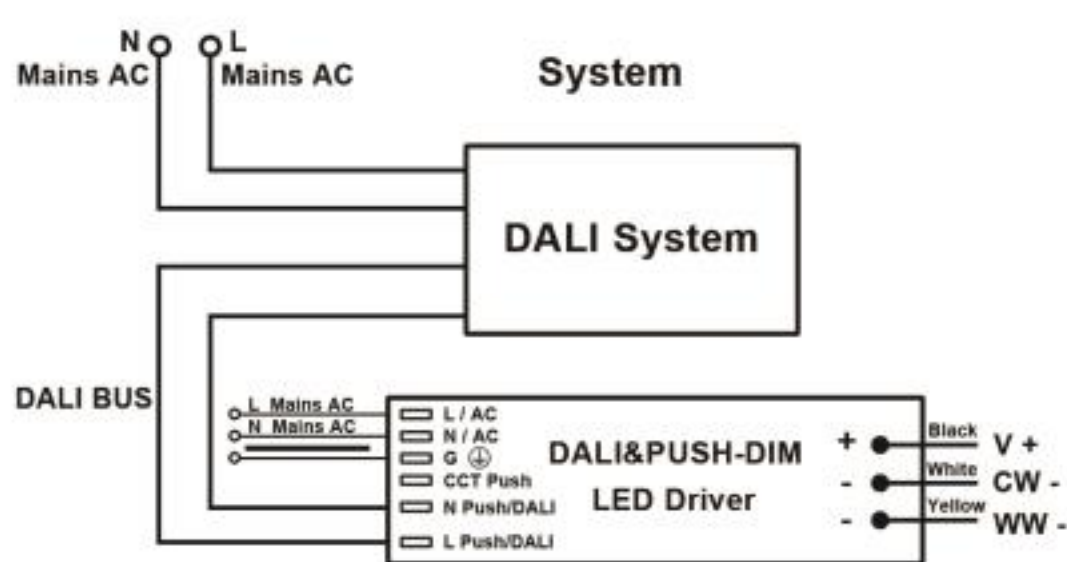
Model 型号	Cover Material 外壳材质	Output Voltage 输出电压 (Vdc)	Output Current 输出电流 (mA)	Dip Switch 拨码开关 T ON ↓ OFF	Output power 输出功率 (Watt)	Product Size 尺寸 (mm)	N/W 净重 (g)
SMT-M-2C-020CM	Plastic(IP20)	6-42V	250mA	↓ ↓ ↓	10.5W	160*43*20	150
		6-42V	350mA	T ↓ ↓	14.7W		
		6-42V	400mA	↓ T ↓	16.8W		
		6-42V	450mA	T T ↓	18.9W		
		6-40V	500mA	↓ ↓ T	20W		
		6-36V	550mA	T ↓ T	19.8W		
		6-33V	600mA	↓ T T	19.8W		
		6-29V	700mA	T T T	19.6W		
SMT-M-2C-040CM	Plastic(IP20)	6-42V	500mA	↓ ↓ ↓ ↓	21W	172*54*20	350
		6-42V	550mA	T ↓ ↓ ↓	23.1W		
		6-42V	600mA	↓ T ↓ ↓	25.2W		
		6-42V	650mA	T T ↓ ↓	27.3W		
		6-42V	700mA	↓ ↓ T ↓	29.4W		
		6-42V	750mA	T ↓ T ↓	31.5W		
		6-42V	800mA	↓ T T ↓	33.6W		
		6-42V	850mA	T T T ↓	35.7W		
		6-42V	900mA	↓ ↓ ↓ T	37.8W		
		6-45V	950mA	T ↓ ↓ T	40.5W		
		6-45V	1000mA	↓ T ↓ T	42.75W		
		6-45V	1050mA	T T ↓ T	45W		
		6-44V	1100mA	↓ ↓ T T	48.4W		
		6-40V	1150mA	T ↓ T T	46W		
		6-36V	1200mA	↓ T T T	43.2W		
		6-33V	1250mA	T T T T	39.6W		
SMT-M-2C-060CM	Plastic(IP20)	6-42V	800mA	↓ ↓ ↓ ↓	33.6W	193*62*24	450
		6-42V	850mA	T ↓ ↓ ↓	35.7W		
		6-42V	900mA	↓ T ↓ ↓	37.8W		
		6-42V	950mA	T T ↓ ↓	39.9W		
		6-42V	1000mA	↓ ↓ T ↓	42W		
		6-42V	1100mA	T ↓ T ↓	46.2W		
		6-42V	1200mA	↓ T T ↓	50.4W		
		6-42V	1300mA	T T T ↓	54.6W		
		6-42V	1400mA	↓ ↓ ↓ T	58.8W		
		6-40V	1500mA	T ↓ ↓ T	60W		
		6-38V	1600mA	↓ T ↓ T	60.8W		
		6-35V	1700mA	T T ↓ T	59.5W		
		6-33V	1800mA	↓ ↓ T T	59.4W		
		6-32V	1900mA	T ↓ T T	60.8W		
		6-30V	2000mA	↓ T T T	60W		
		6-29V	2100mA	T T T T	60.9W		

DALI Dimming Wiring Diagram

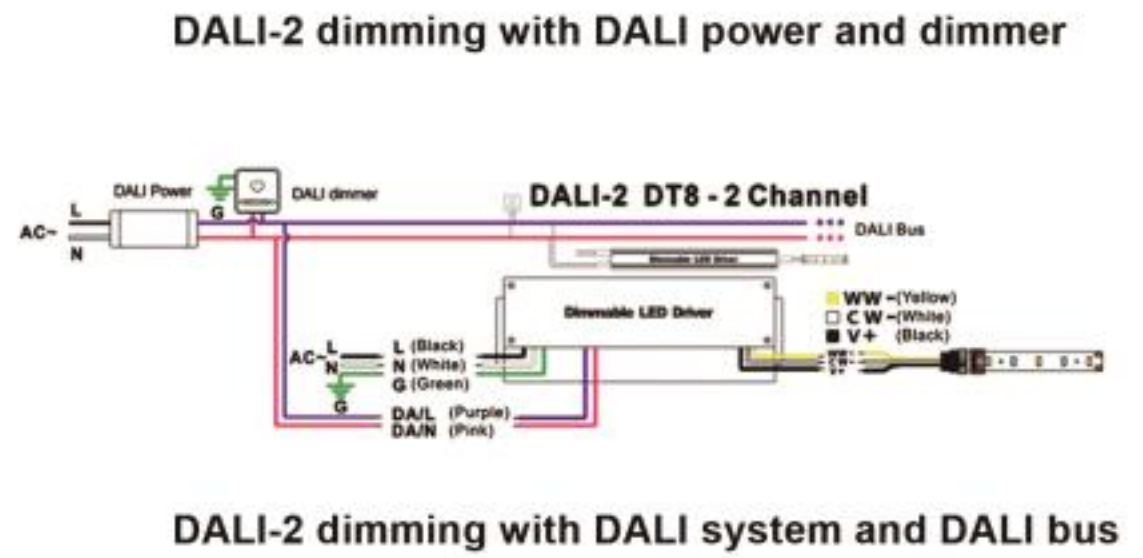
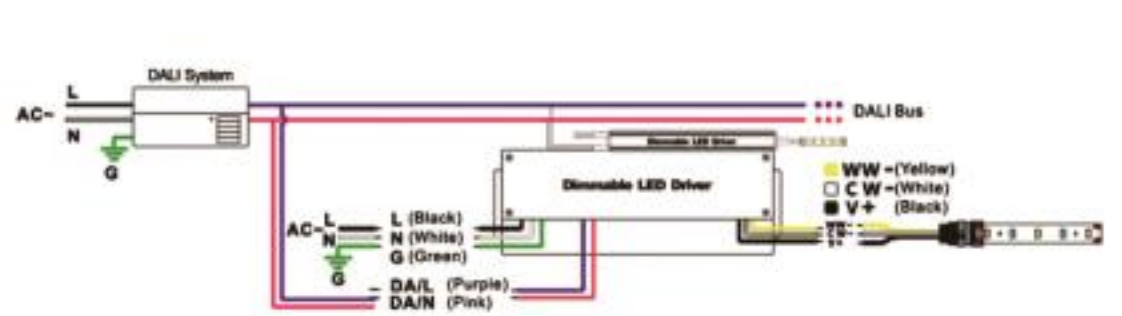
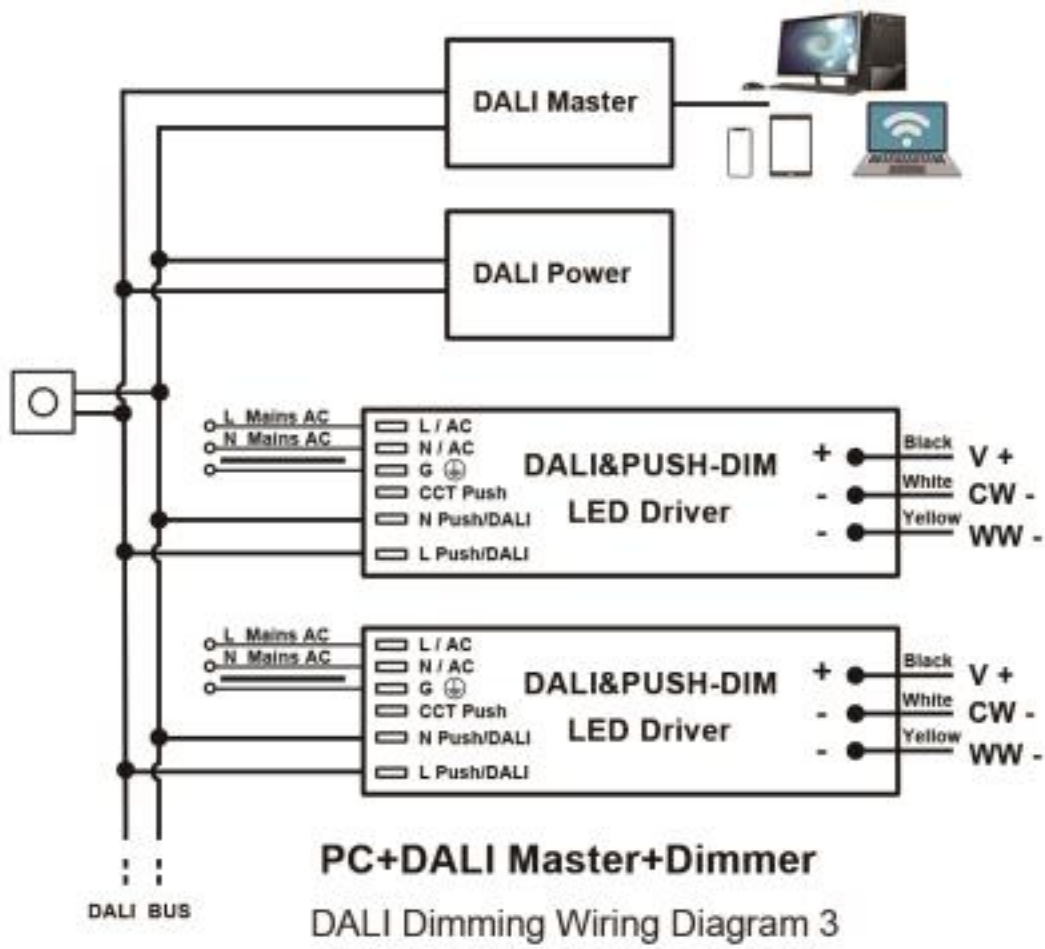
接线图



DALI Dimming Wiring Diagram 1

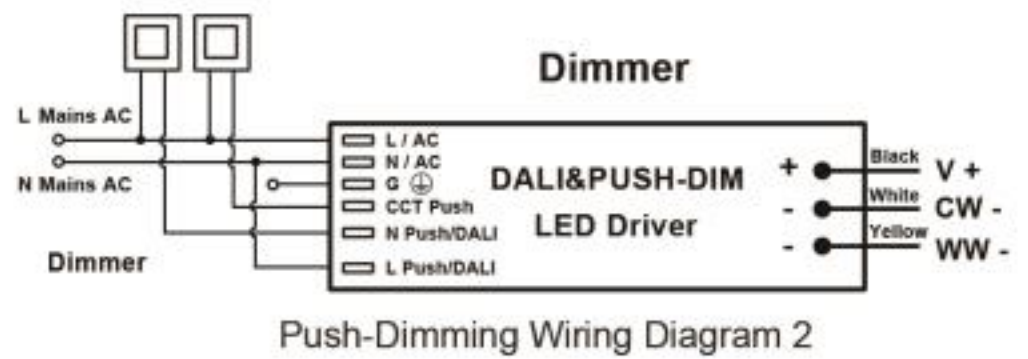
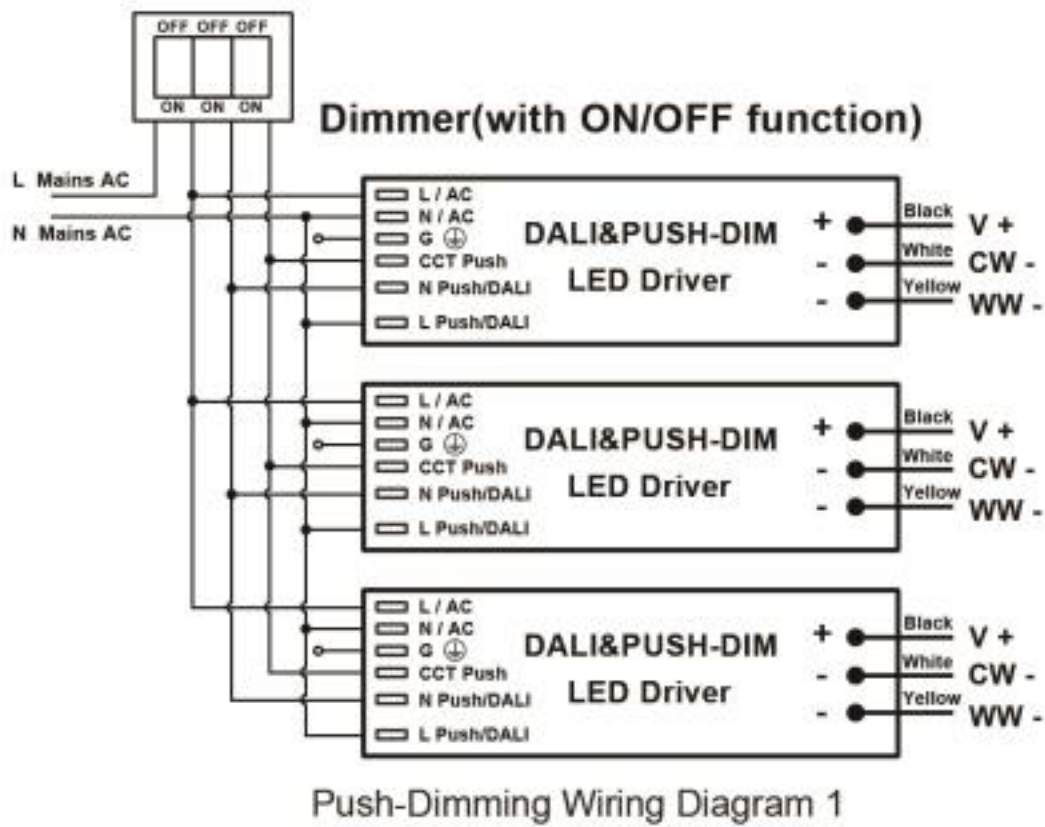


DALI Dimming Wiring Diagram 2



PUSH Dimming Wiring Diagram

接线图



Note: For DALI Dimming Wiring Diagram 3, please noted that only one DALI power is need in the DALI bus, so no extra DALI power is needed if the Master or Dimmer already includes the DALI Power.

注意: 对于 DALI 调光接线图 3, 请注意 DALI 总线中只需要一个 DALI 电源, 因此如果 Master 或 Dimmer 已经包含 DALI 电源, 则不需要额外的 DALI 电源。

Simple operation about DALI-2 address reset by handheld device





Multi-current DIP Adjustment

Triac & 0-10V Dimmable (5 in 1) Output Current Selectable LED Driver

可控硅 & 0-10V (5合1) 调光多电流可选LED驱动器

Features 特性

- Dimming function:
 - Phase dimming: work with forward phase /
 - leading edge ,MLV and Reverse phase /
 - trailing edge ,ELV, TRIAC dimmers
- 0-10V dimming: 0-10V/1-10V/Potentiometer/
- 10V PWM 4 in 1
- Range AC input :100-277VAC
- Output : constant current type
- Built-in active PFC function
- High efficiency : 85%~92%
- Protection:short circuit/over loading/ Over temperature
- PWM output, does not change the color index
- IP20 design for indoor installation
- Dimming range: 0-100%
- Suitable for LED lighting and moving sign applications
- UL, cUL listed, Type HL rated. FCC
- 7 Years Warranty

调光功能:

相位调光: 使用正向相位 /前沿、MLV和反相 /后沿, ELV, TRIAC调光器

0-10V调光: 0-10V/1-10V/电阻调光/
10V PWM 四合一

交流输入范围: 100-277VAC

输出: 恒流型

内置有源PFC功能

高效率: 85%~92%

保护功能: 短路/过流保护

PWM输出, 不改变颜色指数

IP20设计, 适合室内安装/干湿场所

调光范围: 0-100%

适用于 LED 照明和移动标志应用

认证: UL, cUL listed, Type HL rated. FCC

质保期: 7年

Application 适用范围

- Indoor & outdoor LED illuminating lights.
- LED City Decoration
- Commercial LED Lighting,
- LED Panels

户内外LED照明灯光

LED城市装饰灯

商用LED照明

LED面板灯

Optional Model

可选型号

Model 型号	Cover Material 外壳材质	Output Voltage 输出电压 (Vdc)	Output Current 输出电流 (mA)	Dip Switch 拨码开关 T ON ↓ OFF	Output power 输出功率 (Watt)	Product Size 尺寸 (mm)	N/W 净重 (g)
SMT-M-010CTD	Plastic(IP20)	3-42V	100mA	T T T	4.2W	135*30*20	130
		3-42V	150mA	↓ T T	6.3W		
		3-42V	200mA	T ↓ T	8.4W		
		3-40V	250mA	↓ ↓ T	10W		
		3-33V	300mA	T T ↓	9.9W		
		3-29V	350mA	↓ T ↓	10.15W		
		3-25V	400mA	T ↓ ↓	10W		
		3-22V	450mA	↓ ↓ ↓	9.9W		
SMT-M-020CTD	Plastic(IP20)	3-42V	250mA	↓ ↓ ↓	10.5W	159.5*43*20	150
		3-42V	350mA	T ↓ ↓	14.7W		
		3-42V	400mA	↓ T ↓	16.8W		
		3-42V	450mA	↓ ↓ T	18.9W		
		3-40V	500mA	T T ↓	20W		
		3-36V	550mA	T ↓ T	19.8W		
		3-33V	600mA	↓ T T	19.8W		
		3-28V	700mA	T T T	19.6W		
SMT-M-040CTD	Plastic(IP20)	3-65V	300mA	↓ ↓ ↓ ↓	19.5W	172*54*20	350
		3-65V	350mA	T ↓ ↓ ↓	22.75W		
		3-65V	400mA	↓ T ↓ ↓	26W		
		3-65V	450mA	T T ↓ ↓	29.25W		
		3-65V	500mA	↓ ↓ T ↓	32.5W		
		3-65V	550mA	T ↓ T ↓	35.75W		
		3-65V	600mA	↓ T T ↓	39W		
		3-62V	650mA	T T T ↓	40.3W		
		3-57V	700mA	↓ ↓ ↓ T	39.9W		
		3-50V	800mA	T ↓ ↓ T	40W		
		3-45V	900mA	↓ T ↓ T	40.5W		
		3-40V	1000mA	T T ↓ T	40W		
		3-37V	1100mA	↓ ↓ T T	40.7W		
		3-34V	1200mA	T ↓ T T	40.8W		
3-31V	1300mA	↓ T T T	40.3W				
3-29V	1400mA	T T T T	40.6W				
SMT-M-060CTD	Plastic(IP20)	3-65V	600mA	↓ ↓ ↓ ↓	39W	171.5*54*20	450
		3-65V	700mA	T ↓ ↓ ↓	45.5W		
		3-65V	800mA	↓ T ↓ ↓	52W		
		3-65V	900mA	T T ↓ ↓	58.5W		
		3-60V	1000mA	↓ ↓ T ↓	60W		
		3-54V	1100mA	T ↓ T ↓	59.4W		
		3-50V	1200mA	↓ T T ↓	60W		
		3-46V	1300mA	T T T ↓	59.8W		
		3-43V	1400mA	↓ ↓ ↓ T	60.2W		
		3-40V	1500mA	T ↓ ↓ T	60W		
		3-38V	1600mA	↓ T ↓ T	60.8W		
		3-35V	1700mA	T T ↓ T	59.5W		
		3-33V	1800mA	↓ ↓ T T	59.4W		
		3-32V	1900mA	T ↓ T T	60.8W		
3-30V	2000mA	↓ T T T	60W				
3-28V	2100mA	T T T T	58.8W				



Dimming Operation & Connecting Diagram

调光操作 & 接线图

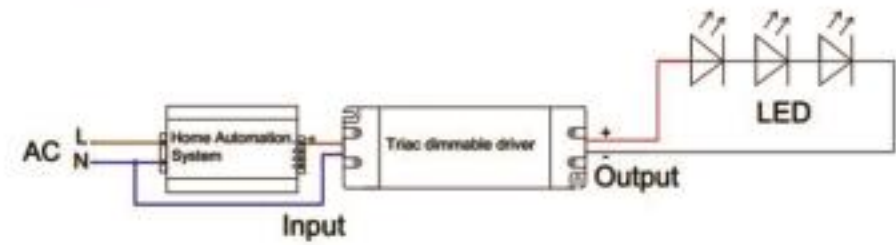
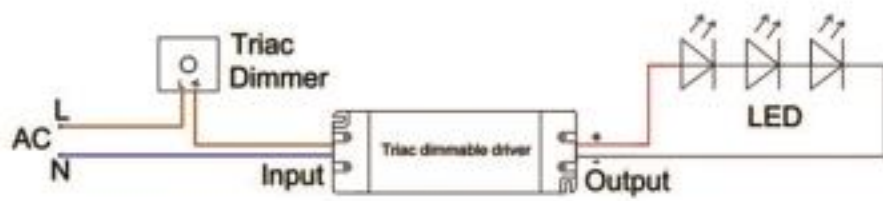
Using TRIAC/Phase Cut Dimming

使用TRIAC/Phase cut调光

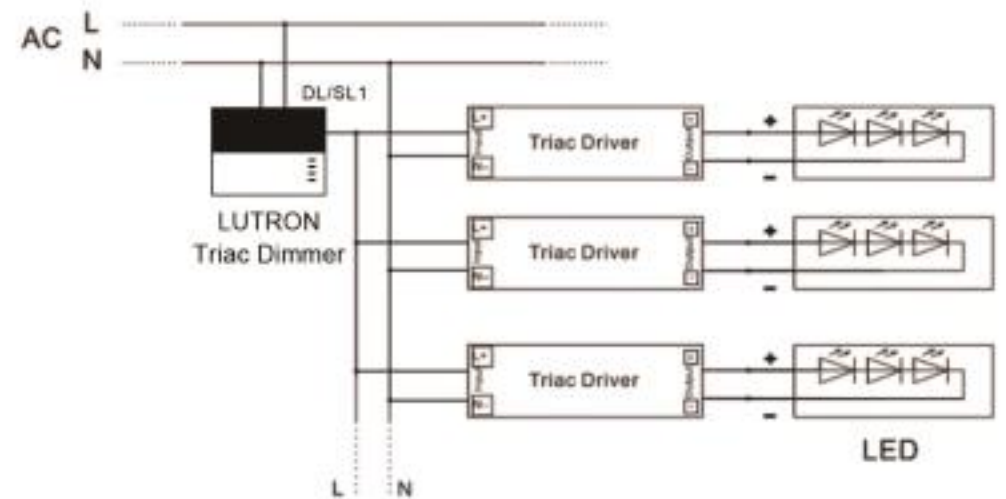
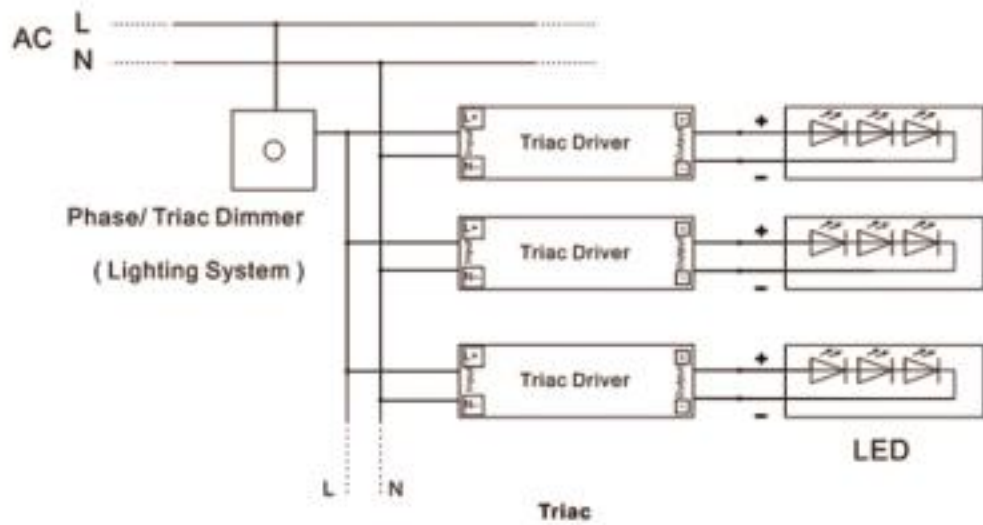
1. The Pulse-Width Modulation (PWM) of output voltage can be adjusted through input terminal of the AC phase line(L) by connection a phase / Triac dimmer of lighting system.
2. Work with forward phase /leading edge ,MLV and reverse phase / trailing edge ,ELV,TRIAC dimmers.
3. Please try to use dimmers with power at least 1.5 times as the output power of the driver.

- 1、输出电压的脉宽调制（PWM）可以通过交流相线（L）的输入端连接照明系统的相位/可控硅调光器来调节。
- 2、与正相/前沿，MLV和反相/后沿，ELV，TRIAC调光器一起工作。
- 3、请尽量使用功率至少为驱动器输出功率1.5倍的调光器。

Connecting Diagram in Single (I)

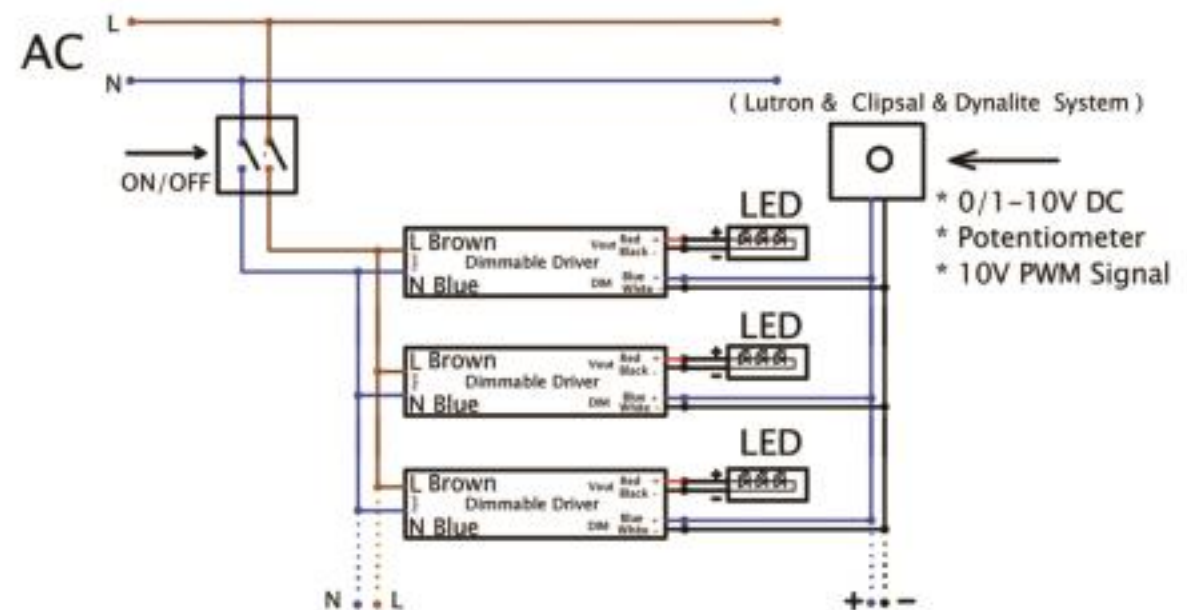
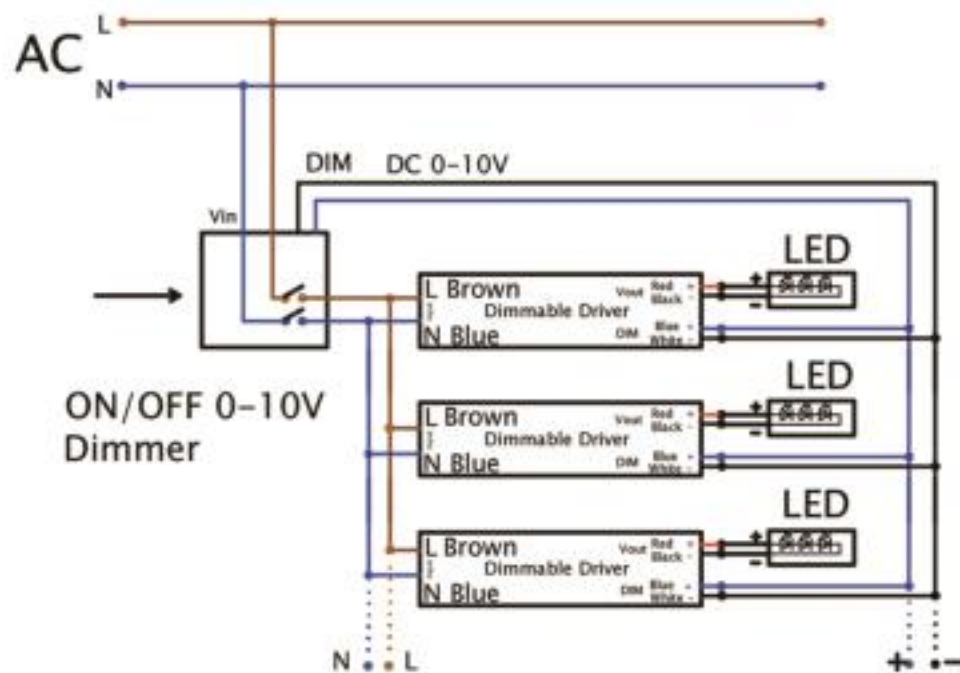


Connecting Diagram Multiple (II)



Using one Dimming ---0-10V/1-10V Dimming

使用0-10V/1-10V调光







Multi-current DIP Adjustmen

DMX512 Dimmable Output Current Selectable LED Driver

DMX512调光多电流可选LED驱动器

Features 特性

- Dimming Function: DMX512 dimming;
DMX512 signal isolation
- Output : cconstant current output. Output current adjustable slightly to solve the line loss problem
- Input Range: 100-277VAC
- Efficiency up to 76% ~88%
- Built-in active PFC function, $PF \geq 0.95 \sim 0.97$
- 1 CH independent outputs: DW
- With the RDM (Remote Device Management) function
- With NFC (Near Field Communication) function, read and write DMX512 address or adjust output voltage by mobile NFC app (or special NFC device) .
- Dimming range: 0-100%
- Comply with DMX512 international standard.
- Comply with the World Lighting Safety Standard, Designed with DMX512 signal isolation.
- IP20 design for indoor installation
- 7 years warranty
- UL/cUL、Type HL rated、FCC

调光功能: DMX512调光; DMX512信号隔离

输出: 恒流输出。微可调恒流, 解决线损问题

输入范围: 100-277VAC

效率高达76%~88%

内置有源PFC功能, $PF \geq 0.95 \sim 0.97$

1路独立输出: DW

具有 RDM (远程设备管理) 功能

具有NFC (近场通信) 功能, 通过手机NFC应用 (或专用NFC设备) 读写DMX512地址或调整输出电压。

符合DMX512国际标准。

符合世界照明安全标准, 采用 DMX512 信号隔离设计。

IP20设计, 适合室内安装/干湿场所

质保期: 7年

认证: UL/cUL、Type HL rated、FCC

Application 适用范围

- Indoor & outdoor LED illuminating lights.
- LED City Decoration
- Commercial LED Lighting,
- LED Panels

户内外LED照明

LED城市装饰灯

商用LED照明

LED面板灯

Optional Model

可选型号

Model 型号	Cover Material 外壳材质	Output Voltage 输出电压 (Vdc)	Output Current 输出电流 (mA)	Dip Switch 拨码开关 T ON ↓ OFF	Output power 输出功率 (Watt)	Product Size 尺寸 (mm)	N/W 净重 (g)
SMT-M-010CX-1C-P	Plastic(IP20)	3-42V	100mA	T T T	4.2	135*30*20	75
		3-42V	150mA	↓ T T	6.3		
		3-42V	200mA	T ↓ T	8.4		
		3-40V	250mA	↓ ↓ T	10		
		3-33V	300mA	T T ↓	9.9		
		3-29V	350mA	↓ T ↓	10.15		
		3-25V	400mA	T ↓ ↓	10		
		3-22V	450mA	↓ ↓ ↓	9.9		
SMT-M-020CX-1C-P	Plastic(IP20)	3-42V	250mA	↓ ↓ ↓	10.5	159.5*43*20	115
		3-42V	350mA	T ↓ ↓	14.7		
		3-42V	400mA	↓ T ↓	16.8		
		3-42V	450mA	↓ ↓ T	18.9		
		3-40V	500mA	T T ↓	20		
		3-36V	550mA	T ↓ T	19.8		
		3-33V	600mA	↓ T T	19.8		
		3-28V	700mA	T T T	19.6		
SMT-M-040CX-1C-P	Plastic(IP20)	3-65V	300mA	↓ ↓ ↓ ↓	19.5	171.5*54*20	225
		3-65V	350mA	T ↓ ↓ ↓	22.75		
		3-65V	400mA	↓ T ↓ ↓	26		
		3-65V	450mA	T T ↓ ↓	29.25		
		3-65V	500mA	↓ ↓ T ↓	32.5		
		3-65V	550mA	T ↓ T ↓	35.75		
		3-65V	600mA	↓ T T ↓	39		
		3-62V	650mA	T T T ↓	40.3		
		3-57V	700mA	↓ ↓ ↓ T	39.9		
		3-50V	800mA	T ↓ ↓ T	40		
		3-45V	900mA	↓ T ↓ T	40.5		
		3-40V	1000mA	T T ↓ T	40		
		3-37V	1100mA	↓ ↓ T T	40.7		
		3-34V	1200mA	T ↓ T T	40.8		
		3-31V	1300mA	↓ T T T	40.3		
		3-29V	1400mA	T T T T	40.6		
SMT-M-060CX-1C-P	Plastic(IP20)	3-65V	600mA	↓ ↓ ↓ ↓	39	171.5*54*20	350
		3-65V	700mA	T ↓ ↓ ↓	45.5		
		3-65V	800mA	↓ T ↓ ↓	52		
		3-65V	900mA	T T ↓ ↓	58.5		
		3-60V	1000mA	↓ ↓ T ↓	60		
		3-54V	1100mA	T ↓ T ↓	59.4		
		3-50V	1200mA	↓ T T ↓	60		
		3-46V	1300mA	T T T ↓	59.8		
		3-43V	1400mA	↓ ↓ ↓ T	60.2		
		3-40V	1500mA	T ↓ ↓ T	60		
		3-38V	1600mA	↓ T ↓ T	60.8		
		3-35V	1700mA	T T ↓ T	59.5		
		3-33V	1800mA	↓ ↓ T T	59.4		
		3-32V	1900mA	T ↓ T T	60.8		
		3-30V	2000mA	↓ T T T	60		
		3-28V	2100mA	T T T T	58.8		



Dimming Operation & Connecting Diagram

调光操作 & 接线图

DMX512 Dimming

DMX512 调光

1. Input terminal with 3P; Live Wire(L) , Neutral Wire (N) . Note: vacant for middle terminal

2. Output terminals with 5P; LED SEC positive (LED+), LED negative (LED-). Connected to LED light;

3. Common anode design 3P for DIM (DMX512) dimming;

1. 3P输入端子；火线（L），中性线（N）。注：中间端子空置。

2. 5P输出端子；LED SEC 正极 (LED+)，LED 负极 (LED-)。接LED灯；

3. DIM（DMX512）调光的共阳极设计3P；



DMX512 Address Setting Operation

DMX512地址设置操作

The default address for DMX driver is 001.

DMX驱动默认地址为001。

Address settings:

地址设置：

① RDM setting address:

Set the address by the RDM device. For detailed operation, please refer to RDM device instruction manual.

① RDM 设置地址：

通过 RDM 设备设置地址。详细操作请参考 RDM 设备使用说明书。

② NFC setting address:

The DMX address can be read and written by a mobile with NFC APP or NFC handheld device (NFC read & write device: NFC-RW) by close to the NFC signal area of the DMX512 driver.

② NFC设置地址：

靠近 DMX512 驱动器的 NFC 信号区，可以通过带有 NFC APP 的手机或 NFC 手持设备（NFC 读写设备：NFC-RW）读写 DMX 地址。

Setting Operation Steps

设置操作步骤：

Simple operation about DMX512 address reset and adjusting output voltage slighting by a mobile with NFC APP or NFC handheld device (NFC read & write device: NFC-RW)

通过带有NFC APP或NFC手持设备（NFC读写设备：NFC-RW）的手机进行DMX512地址复位和调整输出电压的简单操作

Scan the QR code to download the NFC APP

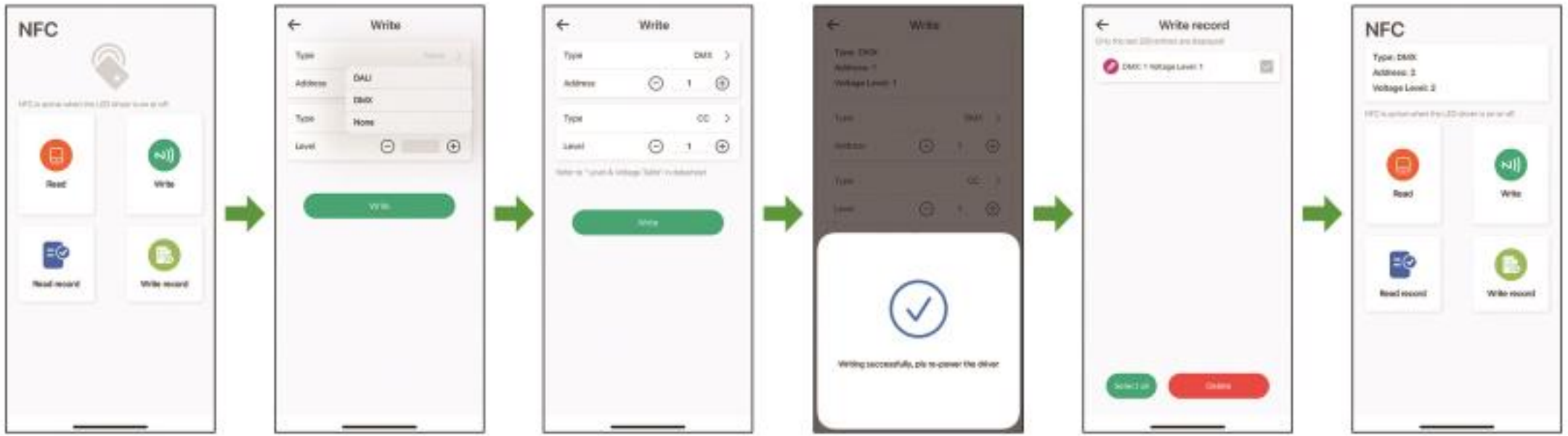
扫描二维码下载NFC APP



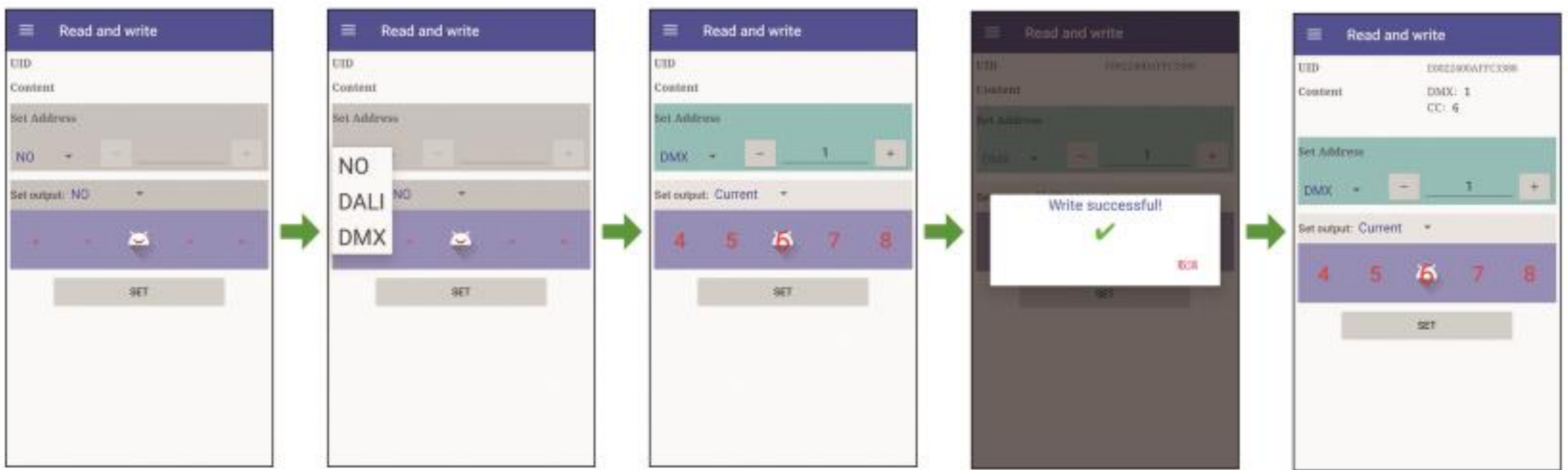
Android



iPhone



NFC Address settings Operation interface (IOS)



NFC Address settings Operation interface (Android)



Main interface

Read

Setting address an output voltage

Write

Successfully

NFC Handheld devices